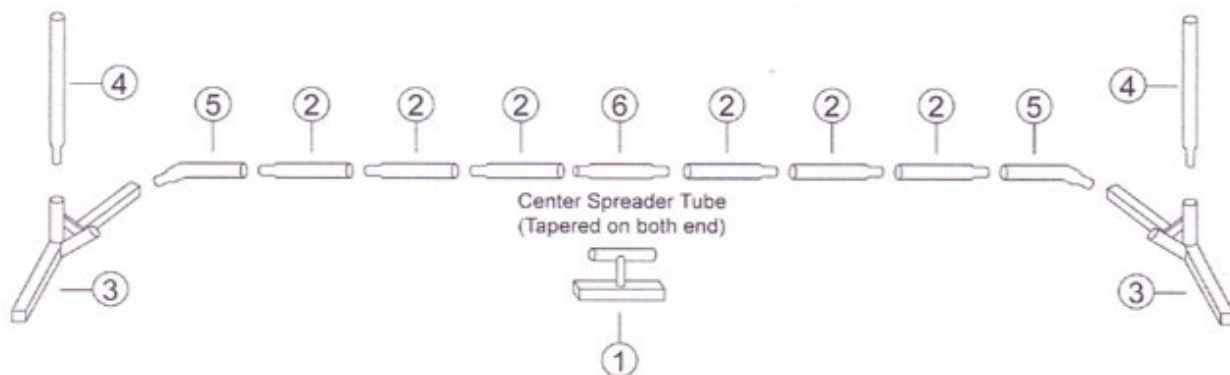


RALLY PORTABLE PICKLEBALL NET

RALLY PORTABLE PICKLEBALL NET SYSTEM ASSEMBLY INSTRUCTIONS

- 1) Locate the Center T-bar Stand (#1), remove black end caps, then put Center Spreader Tube (#6) through the top hole in the T-bar Stand (#1).
- 2) Assemble three (3 each) Horizontal Base Tubes (#2) to each side of the Center Spreader Tube (#6).
- 3) Assemble one (1 each) Horizontal Bent Base Tube (#5) to each side of the Horizontal Base Tubes (#2).
- 4) Remove end caps from each End Base Leg (#3) and assemble to each end Horizontal Bent Base Tubes (#5) by pressing the metal pin to attach. The Horizontal Bent Base Tube (#5) should be inserted with bent leg facing down to the ground.
- 5) The lower frame assembly is now complete with the center of the frame raised off the ground.
- 6) Assemble one Vertical Post (#4) into the vertical tube on one End Base Leg (#3). Slide one end of the net over the Vertical Post (#4) until the net sleeve is flush with the top of the Vertical Post.
- 7) Slide the remaining Vertical Post (#4) through the opposite end of the net, then install that Vertical Post into the remaining End Base Leg (#3).
- 8) Locate the white Tape Sleeve in the middle of the net and install the Center Thin Black Rod into the sleeve. Once fully installed in the sleeve, the rod should be inserted into the hole of the T-bar Stand (#1). Wrap the white Velcro strap (at bottom of mesh center) around the T-bar Stand (#1) to set the height of the net center.
- 9) Route the Net Tension End Straps around each Vertical Post (#4) and tension the net.
- 10) If the Net Tension End Straps are not threaded through the Tension Clip, then feed the strap through the bottom of the Tension Clip first, then around the center bar, and finally out the front opening of the Tension Clip. A simple tug on the excess strap will increase the net tension.



PickleballCentral
22330 68th Avenue S
Kent, WA 98032 USA
1-888-854-0163

www.pickleballcentral.com